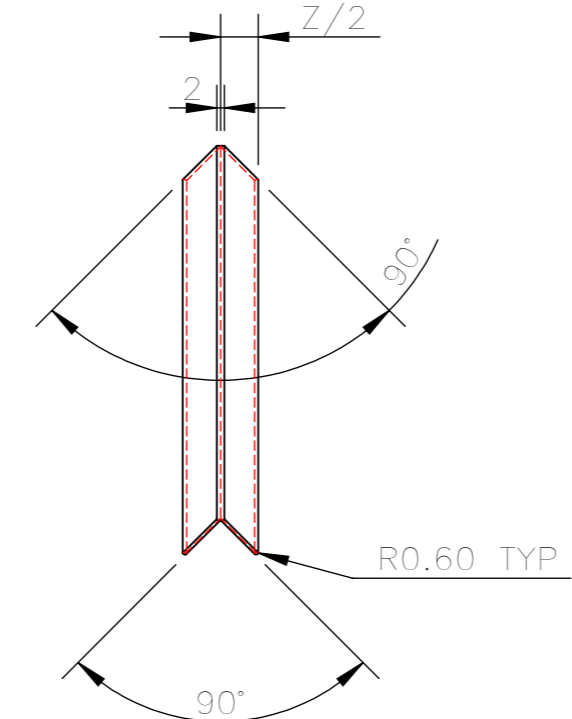
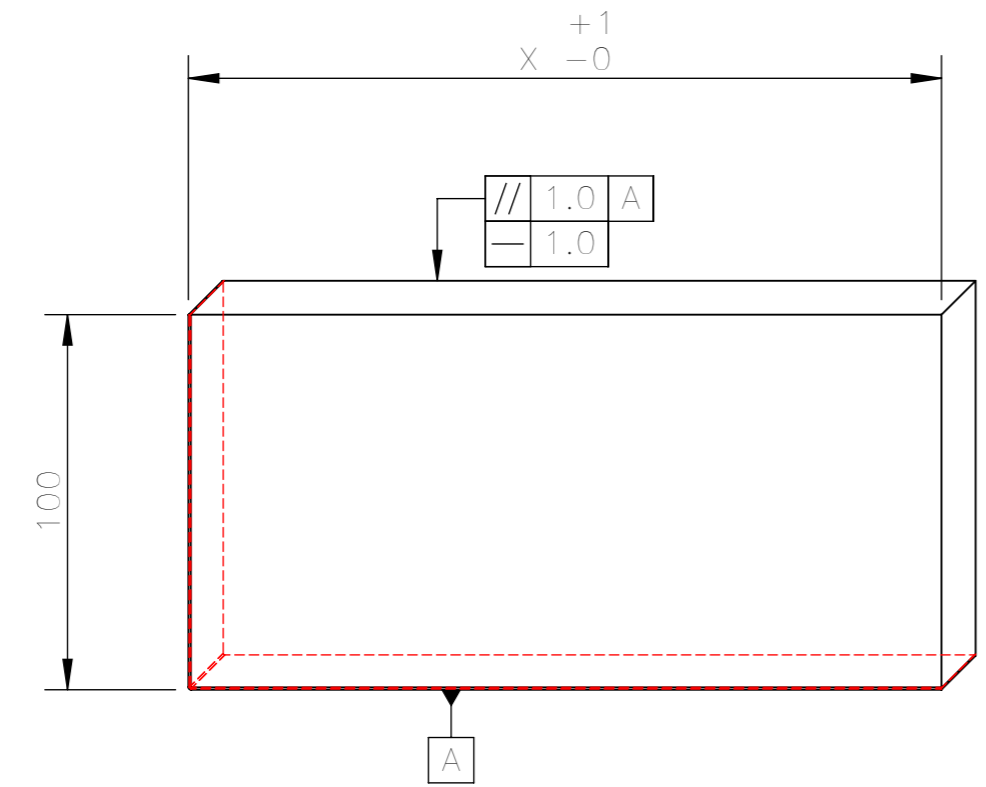
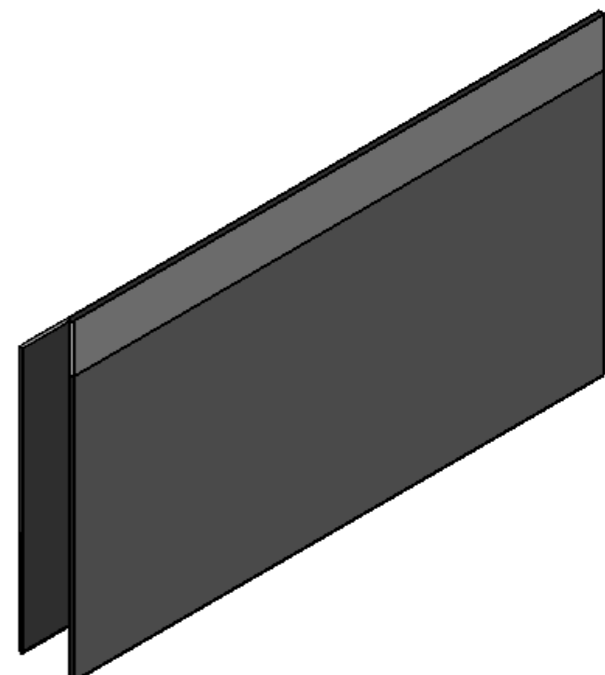
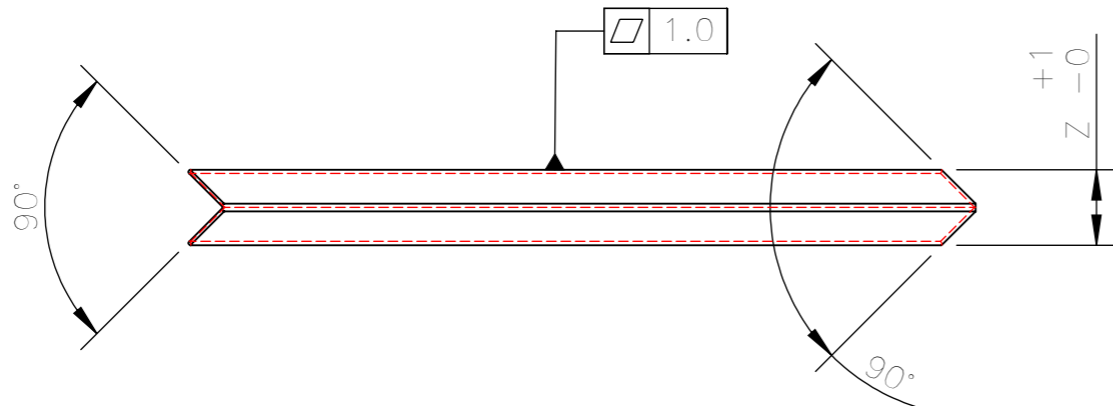


DO NOT SCALE-IF IN DOUBT ASK

Project Number: N/A
Drawing Number: CSPD0015



DIMENSIONS X & Z = TO BE DETERMINED BY CUSTOMER

STANDARD	0.35 - 1% SB LEAD
MATERIAL	DESCRIPTION

THIS DOCUMENT INCLUDING THE COPYRIGHT THEREIN IS THE EXCLUSIVE PROPERTY OF CALDER INDUSTRIAL MATERIALS, CHESTER, UK. IT MAY ONLY BE USED FOR THE PURPOSE FOR WHICH IT WAS ISSUED. IT MAY NOT BE DUPLICATED IN ANY WAY, NOR TRANSMITTED TO ANY THIRD PARTY WITHOUT THE EXPRESS PERMISSION OF CALDER INDUSTRIAL MATERIALS.

GEN. TOLERANCE UNLESS OTHERWISE STATED: ISO 2768-mK
SUR. FIN: -
LEAD THICKNESS TOLERANCE: -0/+0.5

SCALE: 1:2
ALL DIMENSIONS IN mm UNLESS OTHERWISE STATED

TITLE: STANDARD CHEVRON RAIL/BAR DETAIL

DRAWN	M.G. WOLFE	18/10/06
CHECKED	J. GORE	16/01/07
APPROVED	D. PARRY	16/01/07

DRAWING No. CSPD0015
PROJECT No. N/A
SHEET 1 of 1
REV 02

Jupiter Drive, Chester West Employment Park, Chester, CH1 4EX. Tel. No. 01244 390093

02	SEE ECR 58	D. PARRY	28/11/2012
01	DIM Y WAS +0.1	J. GORE	14/11/2007
REV.	DESCRIPTION	APPROVED	DATE

A3

SOLIDWORKS